



Inventive Production Center

IPC, LLC



Company information



Development and implementation of products and technologies to protect pipelines from corrosion



Over 30 years on the market, established in 1988



Company turnover - \$9.3 million (2017-2019)



Export share \$142,032, export country Kyrgyzstan, Kazakhstan, Belarus, Armenia, Uzbekistan, Ukraine



Head office and production facilities: 12
Goncharova St., Bugulma city, Russia



We have established ourselves as reliable manufacturers and suppliers in the oil and gas sector and have positive customer reviews.

Using our products you can:

- ✓ Increase the service life of underground utilities by 2 times;
- ✓ Protection against unauthorized signal transmission through steel pipes;
- ✓ Eliminate the influence of stray currents on pipelines;
- ✓ Make sure that people are safe



Our goal

Ensure reliable and safe operation of pipelines and prevent their destruction due to corrosion by using our products



Our result

Reduce the number of pipeline failures, reducing operating costs and improving the overall environmental situation in the country




KEY FACTORS OF MARKETING RESEARCH

According to the expert assessment of Mega Research in the structure of the Russian market of electrical isolation joints for pipelines among the largest players in quantitative terms in 2018

IPC LLC ranks 2nd

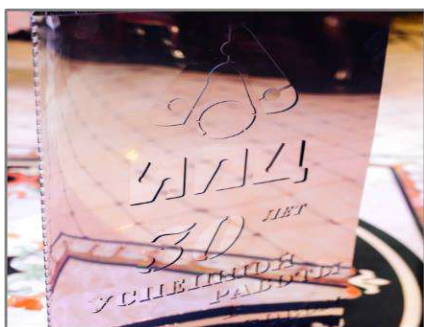
According to the expert assessment of Mega Research in the structure of the Russian market of isolation joints for pipelines among the largest players in monetary terms in 2017-2018,

IPC LLC ranks 4th*



Market overview
for pipeline isolation
joints
for pipelines in Russia

*Based on a rating of 21 manufacturers of pipeline isolation joints





IPC LLC offers

comprehensive solution in the field of pipeline construction, which allows protecting the pipeline from corrosion and stray currents



We constantly strive to support development of new technologies, introduction of new ideas and improved processes. For us, level of occupational safety, health of employees and cleaner environment is of great significance.

Our mission is to develop technologies that will help to preserve nature for future generations





Application



Steel pipes with inner epoxy coating and weld protection tips

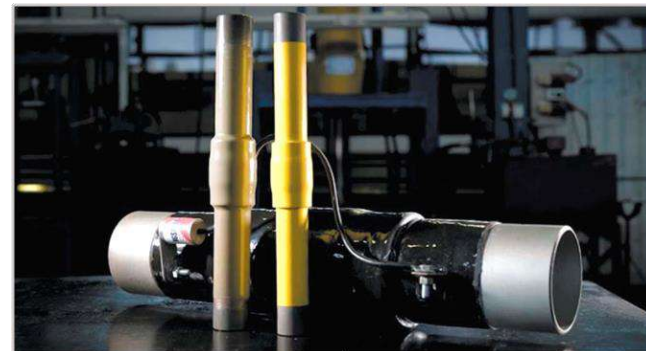
Pipeline parts with inner and outer anticorrosion protection



Technologies for protection of coated pipe welds



Electrical insulating joints (PEIJ)





Problem: pipeline corrosion causing enormous damage to oil producers, environment and human health.

Solution: steel pipes cladded with polyethylene pipe and pipe parts with internal anti-corrosion coating and weld protection tips.

Used in transportation and construction:

- drinking water;
- waste and industrial water (sewage);
- high-pressure water conduits;
- housing and utilities infrastructure.



Specifications:

Nominal size, mm	50 to 300
Steel pipe wall thickness, mm	1.5 to 25
Pipe length, m	6 to 12
Thickness of lining, mm	2 to 8
Working pressure, MPa	up to 25 MPa
Operating temperature, °C	- 60 to +60
Inner coating	polyethylene pipe made of high density polyethylene pipe base grades certified as PE-63, PE-80, PE-100
Outer coating	outer coating of normal type or reinforced type according to GOST R 51164-98, GOST 31448-2012

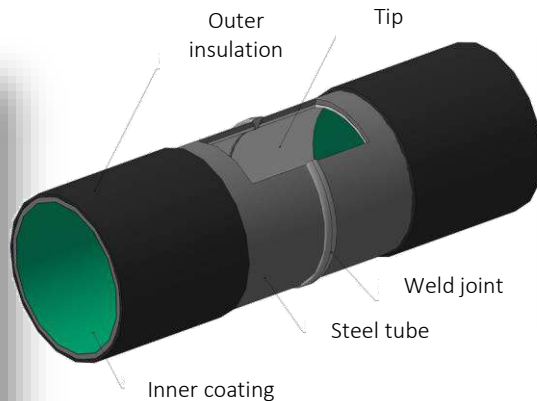
Steel pipe with internal polymer coating and external polyethylene insulation





Pipe corrosion protection assumes weld protection as well

Protective tips for pipes and fittings of pipelines with anticorrosive coatings



Bimetallic bushings for corrosion protection of welded joints of pipelines

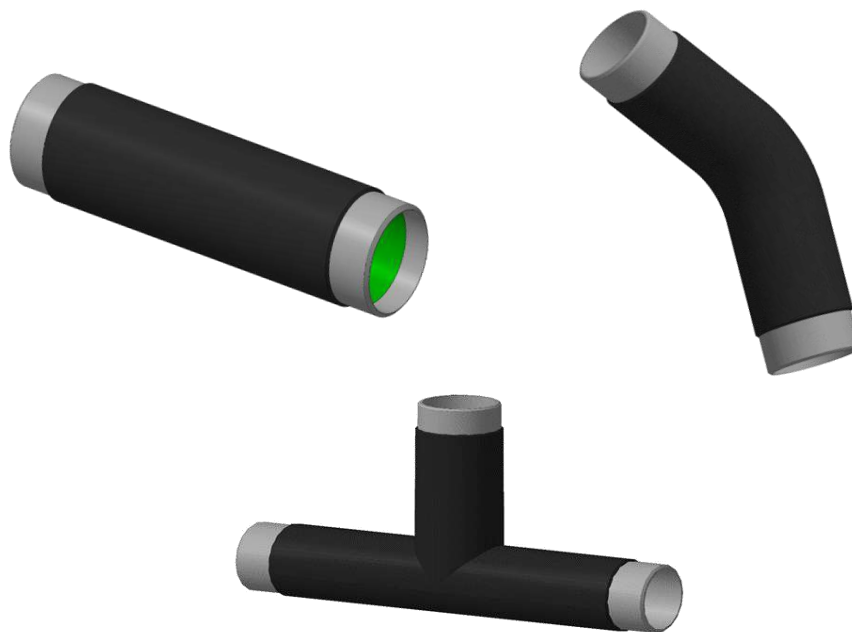
Nominal size, mm	50 to 300
Steel pipe wall thickness, mm	1,5 to 25
Pipe length, m	up to 0,5
Working pressure, MPa	up to 25 MPa
Operating temperature, °C	- 60 to +250
Inner coating	- epoxy - polyurethane - polyethylene powder, etc.
Outer coating	outer coating of normal type or reinforced type according to GOST R 51164-98, GOST 31448-2012



Diameter, mm	50 to 500
Pipeline wall thickness, mm	3 to 28
Working pressure, MPa	up to 25
Operating temperature, °C	up to 250



Steel pipeline parts with internal and external corrosion protection



Nominal bore (NB), mm	50 to 500
Inner coating	- epoxy - operating temperature from -60 to +120 ° C - polyethylene powder - operating temperature from -60 to +60 ° C.
Outer coating	- conservation - polyethylene-based shrinkable coating - coating based on thermosetting compositions



Pipeline isolation joints (PIJ) are used for electrochemical corrosion protection of ground, underground and underwater pipelines. PEIJ is installed on oil, water and gas pipelines, gas distribution networks to protect against corrosion caused by stray currents, with a diameter of 10 to 500 mm

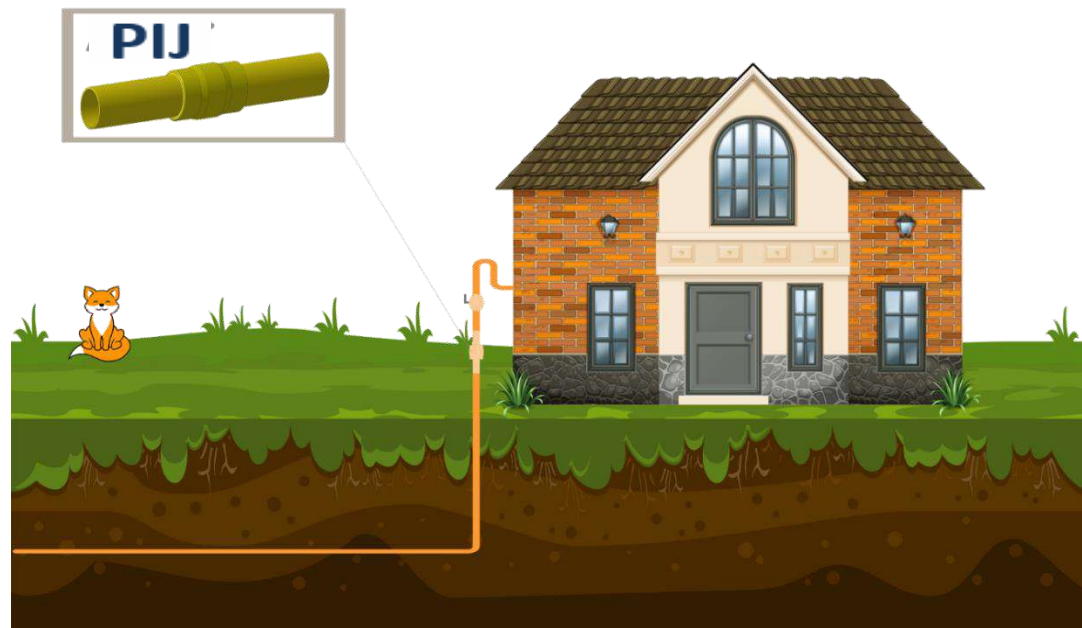




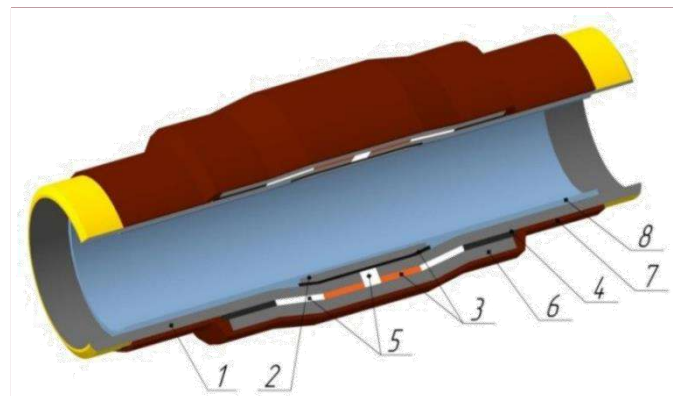
Stray currents are a danger to gas pipeline equipment and the public.

The main problem is that the section of gas pipeline exposed to stray currents is extremely complex and cannot be calculated in advance.

! The PIJ type isolation connection for the gas pipeline allows the sections to be separated and electrochemical corrosion is eliminated.



Pipeline isolation joints (PIJ) for Oil Industry



Specifications

Nominal bore (NB), mm	30 to 500
Working pressure, MPa	up to 39.2
Operating environment temperature, °C	up to 150
Electrical resistance at U=1000 V	at least 5 MOhm
Dielectric strength (leakage current at U = 5000 V)	50 mA max



Pipeline operation experience, manufactured by IPC LLC



Since 2016, OJSC TAIF-NK has been operating the pipeline using steel pipes lined with a polyethylene pipe manufactured by IPC LLC, from LLC Nizhnekamsk TPP to OJSC TAIF-NK. Chemically demineralized water is transported through the pipeline, the flow temperature of 35°C, and the pressure in the pipeline is 7 kgf/cm². There were no failures of this pipeline during the operation period.





They Trust Us



BELORUSNEFT



They Support Us



MINISTRY OF INDUSTRY
AND TRADE OF
REPUBLIC OF TATARSTAN



INDUSTRIAL ENGINEERING
CLUSTER OF
REPUBLIC OF TATARSTAN





Participation in exhibitions

Российский
нефтегазохимический форум



**ГАЗ. НЕФТЬ.
ТЕХНОЛОГИИ**
XXVII международная выставка



ЕЖЕГОДНАЯ
ПРОИЗВОДСТВЕННО-ТЕХНИЧЕСКАЯ
КОНФЕРЕНЦИЯ

**ПРОМЫСЛОВЫЕ
ТРУБОПРОВОДЫ**



KIOGE
OIL&GAS KAZAKHSTAN





Contacts



Director:

Olga Ayduganova

Deputy Development Director:

Dmitry Ayduganov



Address: 423233, Bugulma, Ivan
Goncharov Str. 12, administration building



Email: sales@ipc-bugulma.ru



Telephone:

8 (800) 551 59 55
+7 (917) 280 06 93

