

# NDIR bundles

IR emitter and detector with matching filter in one set.



## Applications

- NDIR gas analysis

## Product benefits

- Available promptly
- Measurement results in a short time
- Order option for smaller quantities
- All parts for NDIR gas analysis from one source

## Features

- Kit of matching infrared components for analysing diverse target gases or typical gases in medical and industrial applications

## Additional product information

Perfectly matched infrared components with optical filter in a set for evaluation, sample and prototype construction and small quantities in one box available from stock. We offer bundles for specific target gases or applications with typical measurement gases.

The NDIR bundles contain samples of NAC based JSIR350 emitters, sometimes with a variety of packaging versions. The highly sensitive thermopile detectors of our MTS200 series are optimized for the application. The optical filter is adapted to the typical wavelength range of the gas which needs to be detected.

## Online shop for IR components and sensors

Filter products simply by selecting the desired properties and request your quotation.

 [microhybrid.com/shop](https://microhybrid.com/shop)



## Technical data

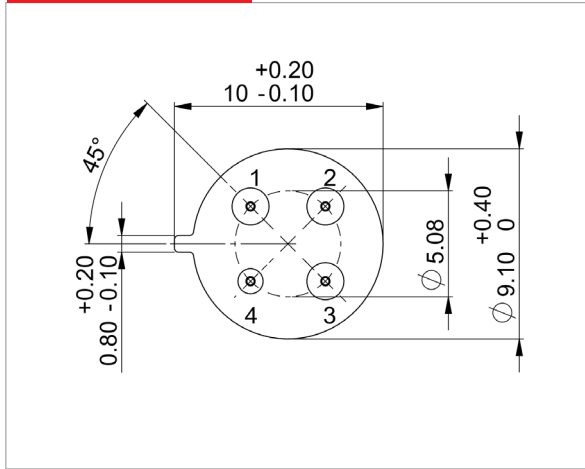
Application	IR emitters	IR thermopile detectors	Centre wa- velength [nm]	Half band width [nm]
CO <sub>2</sub> gas analysis	5x JSIR 350-4, open, reflector	5x MTS2SENS200 E1/D2	4265	120
CO gas analysis	5x JSIR 350-4, open, reflector	5x MTS2SENS200 F1/D2	4650	180
C <sub>x</sub> H <sub>y</sub> gas analysis	5x JSIR 350-4, open, reflector	5x MTS2SENS200 G2/D2	3400	140
SO <sub>2</sub> gas analysis	5x JSIR 350-4, BaF <sub>2</sub> filter, reflector	5x MTS2SENS200 H1/D5	7300	180
SF <sub>6</sub> gas analysis	5x JSIR 350-4, BaF <sub>2</sub> filter, reflector	5x MTS2SENS200 J1/D5	10540	690
N <sub>2</sub> O gas analysis	5x JSIR 350-4, open, reflector	5x MTS2SENS200 K1/D2	4525	83
NO gas analysis	5x JSIR 350-4, open, reflector	5x MTS2SENS200 L1/D2	5300	200
-OH gas analysis	5x JSIR 350-4, BaF <sub>2</sub> filter, reflector	5x MTS2SENS200 M1/D5	9663	240
industrial	JSIR 350-4, open, reflector JSIR 350-4, BaF <sub>2</sub> filter, reflector JSIR 350-4, open, cap JSIR 350-5, open, cap	1x MTS4SENS200 D2/E1/F1/G2 1x MTS4SENS200 D2/E2/F1/G2 1x MTS4SENS200 I1/L1/H1/D5 1x MTS2SENS200 L1/D2 1x MTS2SENS200 M1/D5 1x MTS2SENS200 J1/D5		
medical	JSIR 350-4, open, reflector JSIR 350-4, BaF <sub>2</sub> filter, reflector JSIR 350-4, open, cap	1x MTS4SENS200 D2/E1/F1/G2 1x MTS4SENS200 D2/E2/F1/G2 1x MTS4SENS200 E1/K1/V1/W1 1x MTS2SENS200 L1/D2 1x MTS2SENS200 M1/D5 1x MTS2SENS200 X1/D5 1x MTS2SENS200 U1/D5		
IR source testing	2x JSIR 350-4, open, reflector JSIR 350-4, open, cap JSIR 350-4, BaF <sub>2</sub> filter, reflector	1x MTS2SENS200 E1/D2		

## Technical data

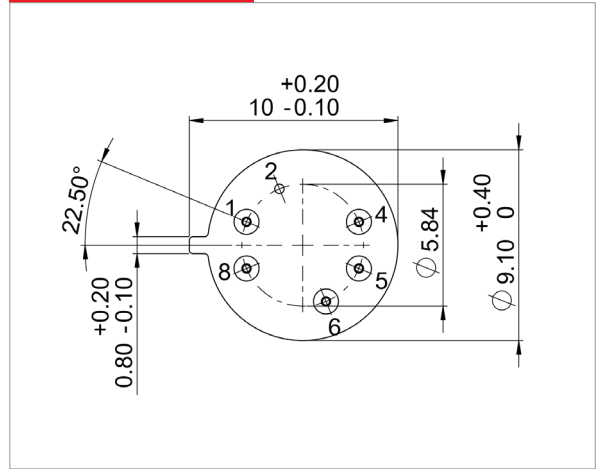
Application	Code	Centre wavelength [nm]	Centre wavelength tolerance [nm]	Half band width [nm]	Half band width tolerance [nm]	Transmission
C <sub>x</sub> H <sub>y</sub>	G2	3400	± 20	140	± 20	> 80 %
Reference	D2	3910	± 28	70	± 10	> 70 %
CO <sub>2</sub> (main band)	E1	4265	± 25	120	± 10	> 70 %
CO <sub>2</sub> (side band)	E2	4415	± 30	60	± 10	> 70 %
N <sub>2</sub> O	K1	4525	± 20	83	± 6	> 70 %
CO	F1	4650	± 40	180	± 20	> 70 %
Reference	D5	5060	± 25	100	± 15	> 70 %
NO	L1	5300	± 30	200	± 20	> 70 %
H <sub>2</sub> O	I1	6580	± 40	200	± 35	> 70 %
SO <sub>2</sub>	H1	7300	± 50	180	± 20	> 80 %
Halothane	U1	7665	± 77	242	± 40	> 70 %
Desflurane	V1	8224	± 40	240	± 24	> 70 %
Isoflurane	W1	8550	± 40	180	± 18	> 70 %
xFlurane	X1	8620	± 45	540	± 45	> 70 %
-OH	M1	9663	± 80	240	± 40	> 70 %
SF <sub>6</sub>	J1	10540	± 100	690	± 100	> 70 %

# Mechanical drawings

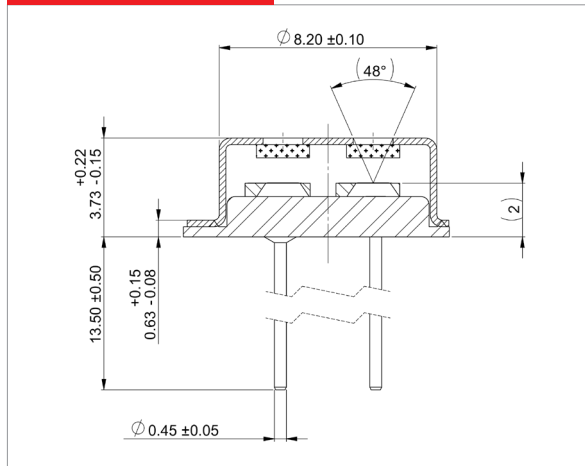
**Bottom - MTS2SENS**



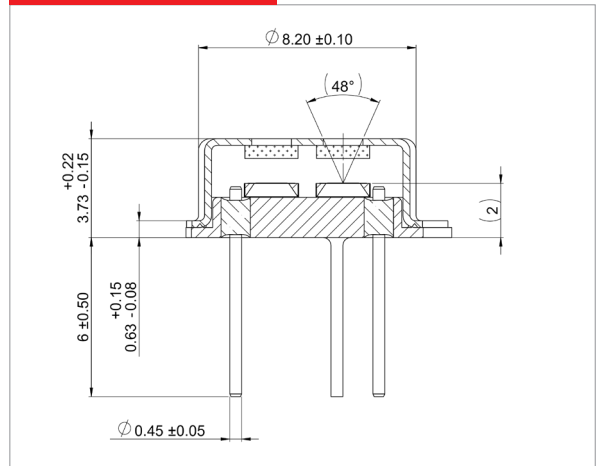
**Bottom - MTS4SENS**



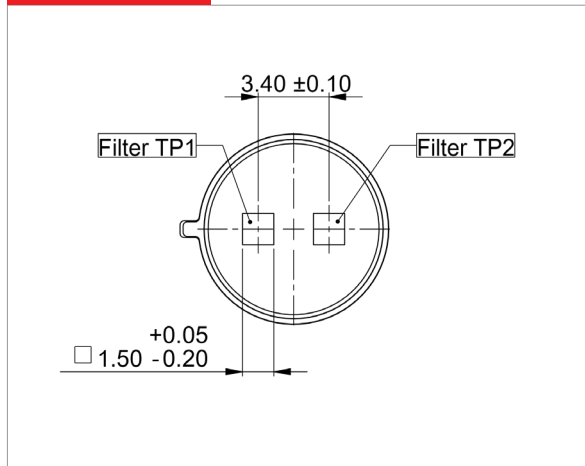
**Sectional - MTS2SENS**



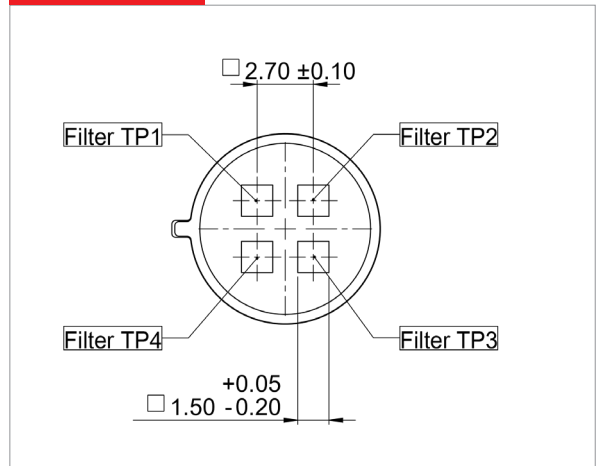
**Sectional - MTS4SENS**



**Top - MTS2SENS**

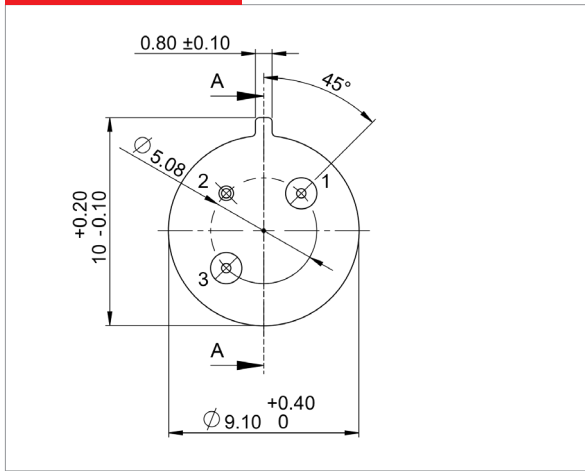


**Top - MTS4SENS**

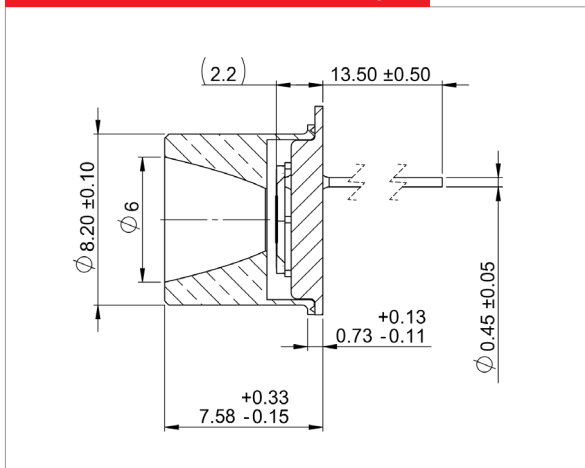


## Mechanical drawings

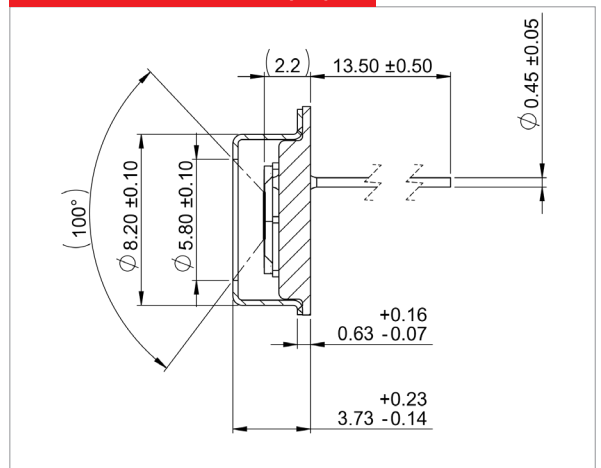
Bottom - JSIR 350-4



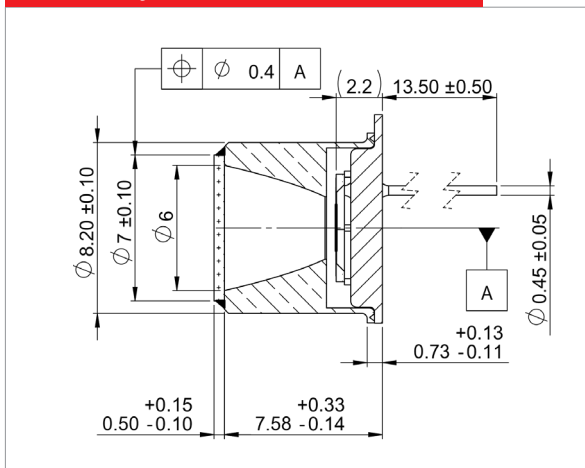
Sectional - JSIR 350-4 reflector open



Sectional - JSIR 350-4 cap open

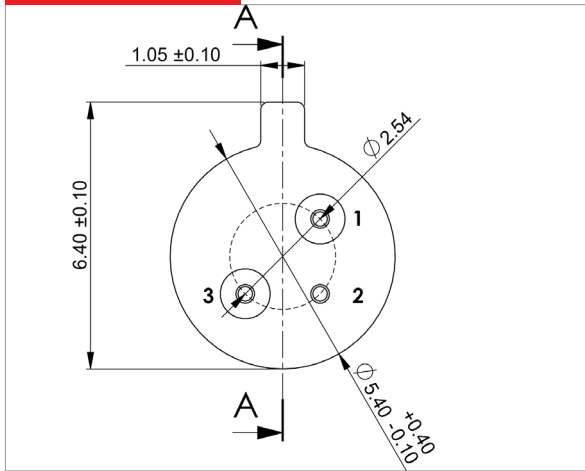


Sectional - JSIR 350-4 reflector with filter

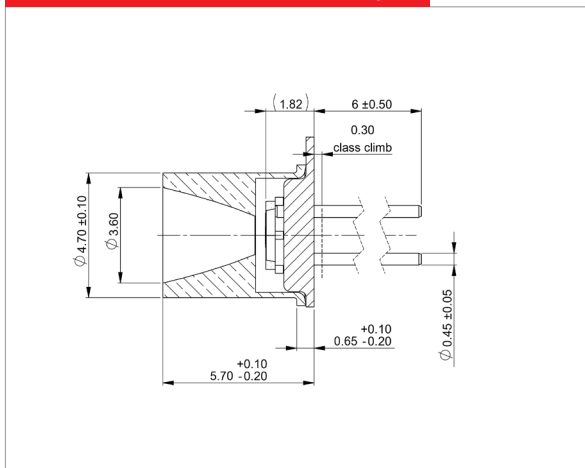


## Mechanical drawings

Bottom - JSIR 350-5



Sectional - JSIR 350-5 reflector open



➔ All geometrical dimensions in mm

### Disclaimer

All rights reserved. All information in this data sheet are based on latest knowledge, results of practical experience and tests carried out. Earlier specifications are hereby invalid. All specifications – technical included – are subject to change without notice. It is the customer's responsibility to ensure that the performance of the product is suitable for customer's specific application. No liability is accepted for indirect damage, in particular for the use or inability to use the product. Any liability we may have is limited to the value of the product itself.