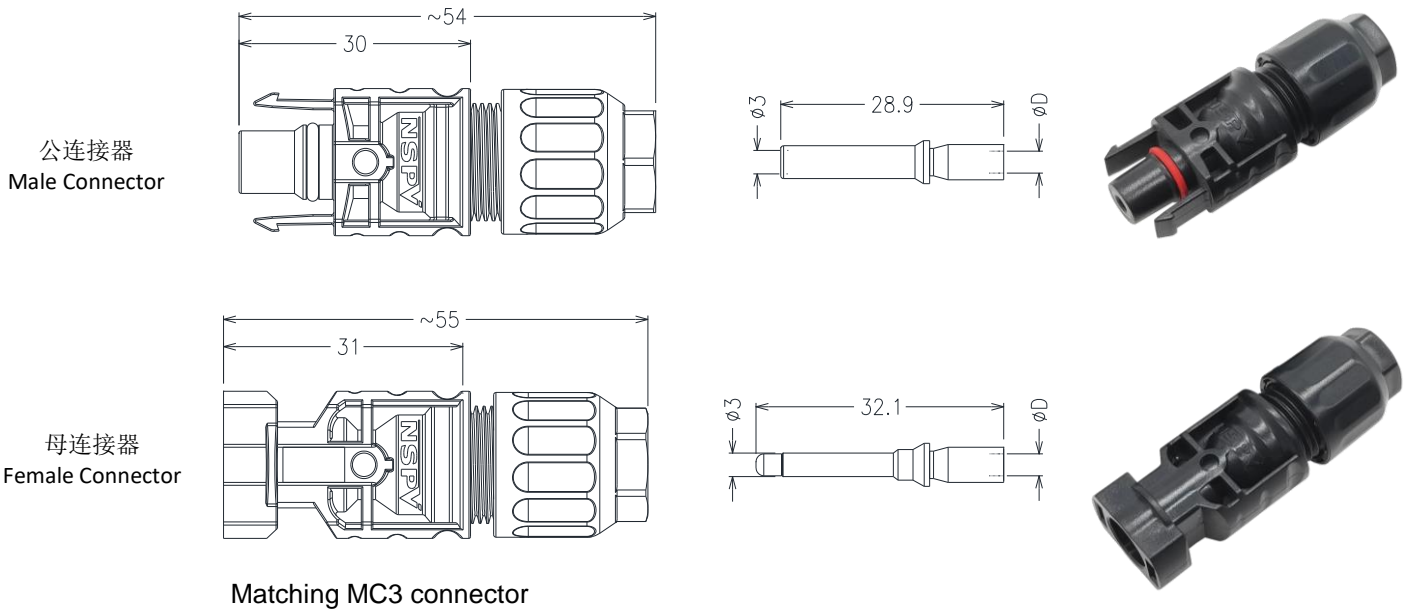


光伏3.0线端连接器(扣锁型) PV 3.0 Cable Connector (With Buckle)

产品规格 Product Specifications

绝缘材料 Insulation material	PPE/PA	安全等级 Safety degree	II
额定电流 Rated current	30A	阻燃等级 Flame class	UL94-V0
额定电压 Rated voltage	1000VDC	插入力/拔出力 Insertion force/Withdrawal force	≤ 50N / ≥ 50N
测试电压 Test voltage	6kV(50Hz,1min)	环境温度范围 Ambient temperature range	-40℃ ...+85℃ (IEC)
连接器接触电阻 Typical contact resistance	≤ 0.25 mΩ	适配电线规格 Suitable cable cross sections	2.5~6mm ² /14~10AWG
金属导体材料 Contact material	铜, 镀锡 Copper, Tin plated	连接方式 Connecting system	压接 Crimp connection
保护等级 Degree of protection	IP67	螺帽锁紧力 Nut cap locking force	1.5~1.8Nm
过压等级 Overvoltage category/Pollution degree	CATIII/2	温度上限 Upper limiting temperature	110℃ (IEC)

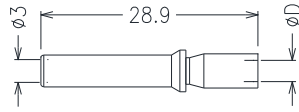
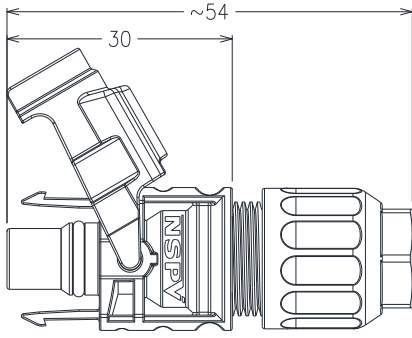
图示: Drawing:



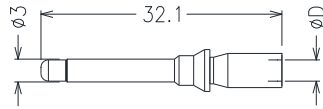
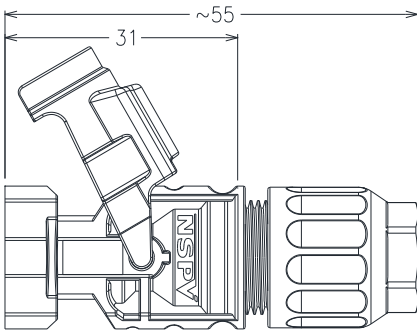
PV3.0线端连接器 PV3.0 Cable connector

3.0线端母连接器 3.0 Cable Female Connector			3.0线端公连接器 3.0 Cable Male Connector		
料号 Part No.	ΦD	适配电线规格 Cable Size	料号 Part No.	ΦD	适配电线规格 Cable Size
3C2500-002	Φ2.1	2.5mm ² / 14AWG	3C2501-002	Φ2.1	2.5mm ² / 14AWG
3C4000-002	Φ2.8	4.0mm ² &/12AWG	3C4001-002	Φ2.8	4.0mm ² &/12AWG
3C6000-002	Φ3.4	6.0mm ² &10AWG	3C6001-002	Φ3.4	6.0mm ² &10AWG

母连接器
Female Connector



公连接器
Male Connector



Matching MC3 connector

PV3.0线端连接器含扣锁

PV3.0 Cable connector with buckle

3.0线端母连接器 3.0 Cable Female Connector			3.0线端公连接器 3.0 Cable Male Connector		
料号 Part No.	ΦD	适配电线规格 Cable Size	料号 Part No.	ΦD	适配电线规格 Cable Size
3C2500-002B	$\Phi 2.1$	2.5mm ² / 14AWG	3C2501-002B	$\Phi 2.1$	2.5mm ² / 14AWG
3C4000-002B	$\Phi 2.8$	4.0mm ² &/12AWG	3C4001-002B	$\Phi 2.8$	4.0mm ² &/12AWG
3C6000-002B	$\Phi 3.4$	6.0mm ² &10AWG	3C6001-002B	$\Phi 3.4$	6.0mm ² &10AWG