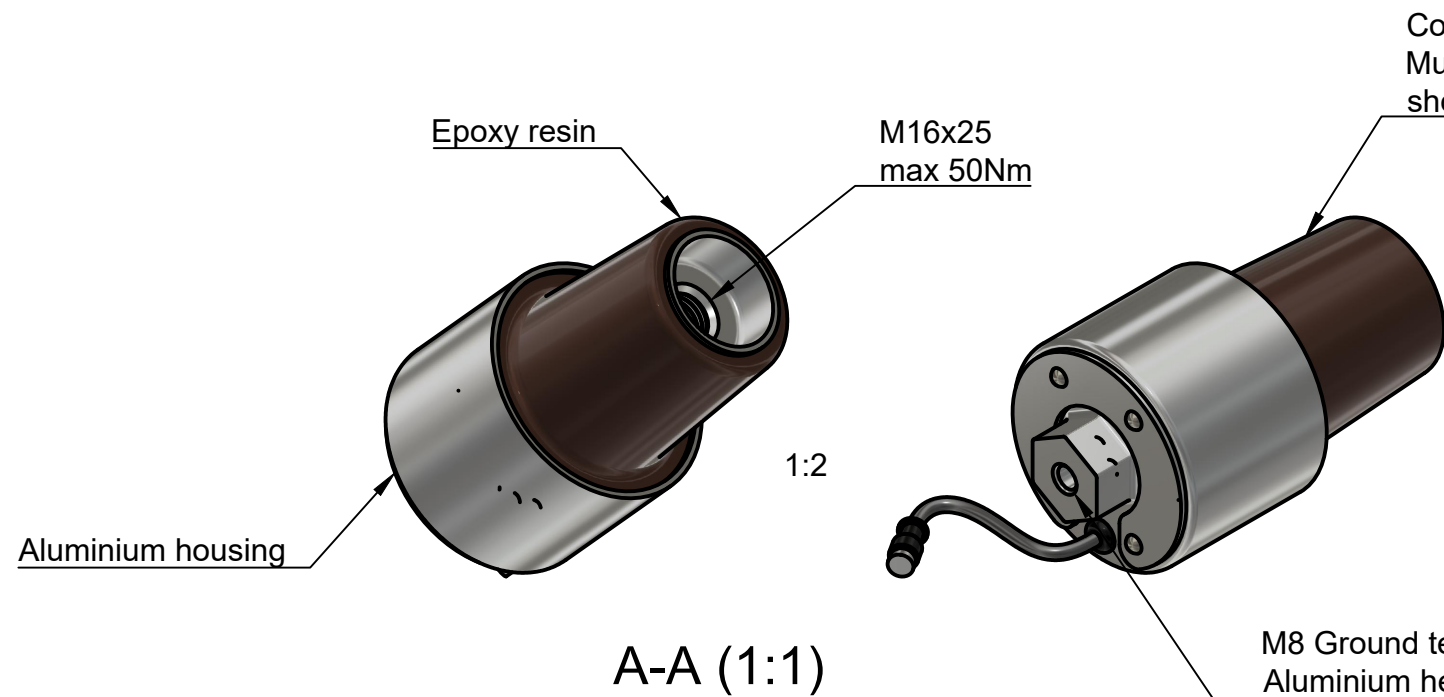
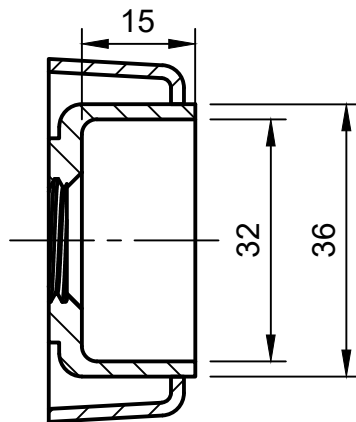


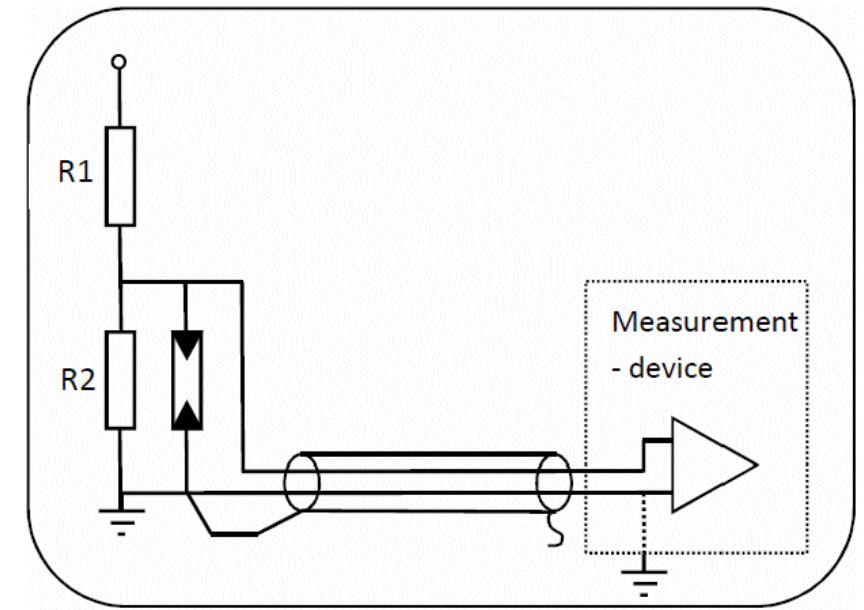
Secondary terminal
custom defined
Recommendation:
1) 10cm 3pole screwed
M8 - socket
2) M8 - plug with cable
0,5-100m open ends



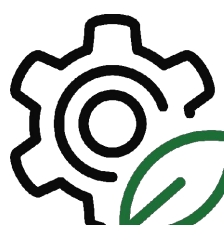
A-A (1:1)



Function principle:



Standard: IEC 61869-1, IEC 61869-6, IEC 61869-11
Isolation level: 12/28/75kV 17,5/38/95kV 24/50/125kV
Rated voltage: max. 20kV/V3
Temperature range: -25/65°C
Accuracy class: 0,2/0,5/1/3 & 3P/6P
Secondary output: 3,25/V3 or customer defined
Burden: VS 200kΩ ±1%; max. 1nF or customer defined
Compatible T-cable manufacturers on request

Dept. GWP	Technical reference	Created by W. Bacher 20.09.2018	Approved by N. Juschicz 20.09.2018
 A3/1:1	Document type Drawing	Document status Released	
	Title Indoor Voltage Sensor Short cone type	DWG No. TxxxK-xx	
	Rev. 2	Date of issue 30.03.2019	Sheet 1/1