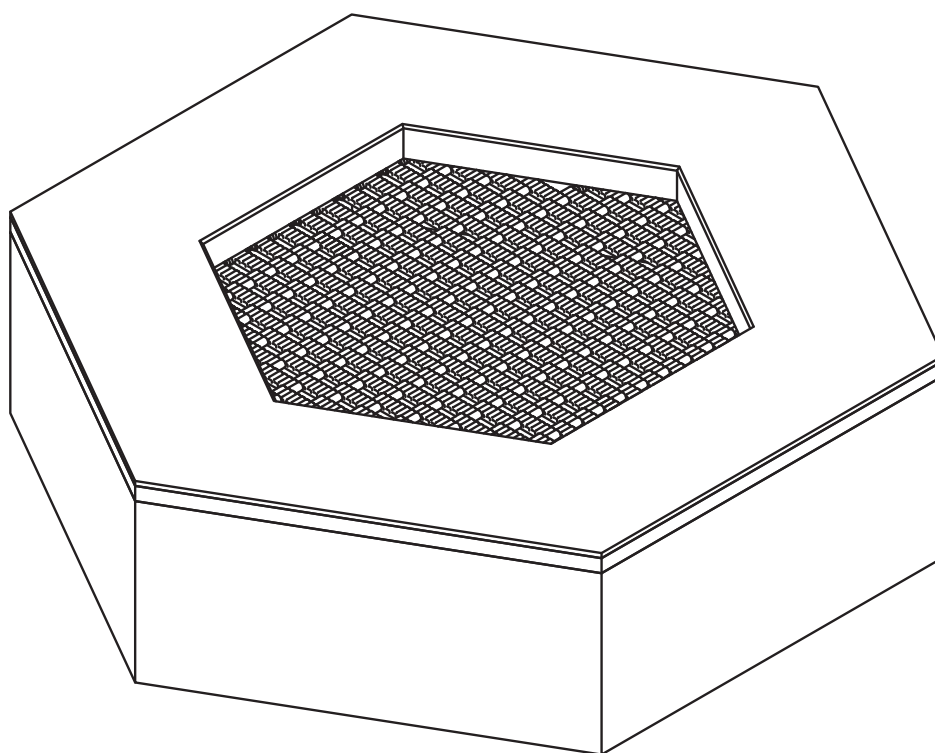


## DATA SHEET

# Playground Trampoline - HEXAGON



### Table of contents:

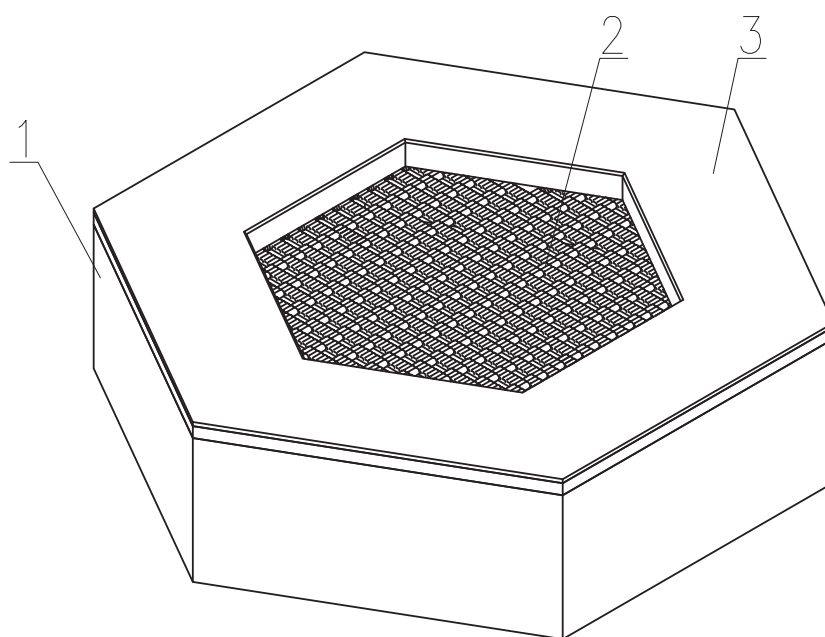
1. Description
2. Technical specifications
3. Assembly instructions
4. Maintenance and repairs

## 1. Description

**Playground Trampolines Modules** are designed for the outdoor use and can be easily set into the ground. Our designers made sure the product meets the highest European standards. Playground Trampolines Circle were designed in accordance with EN 1176-1:2017 standard: “Playground equipment and surfacing - Part 1: General safety requirements and test methods”, which guarantees the correct safety level when playing on the trampoline or around it. Playground Trampolines Circle are intended for children at the age of 3 and older and for adults whose weight does not exceed 130 kg. Children should be supervised by guardians. Intended for one person.

**Playground Trampoline Circle** guarantees great and safe outdoor fun for both, children and adults. A wide range of colours available - we can meet all expectations. Built from the best materials and safe to the environment.

**Playground Trampoline Circle** is to be set into the pre-prepared pit and consists of three main parts: the frame, the jumping bed and the shock-absorbing mat.



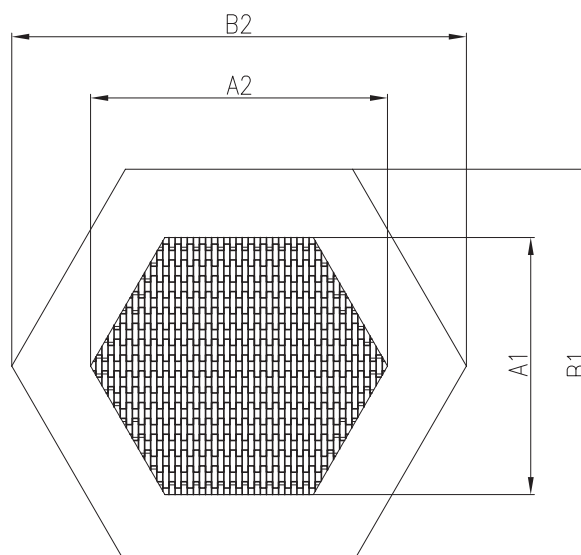
*Drawing no. 1: Trampoline construction scheme: 1-Frame, 2-Jumping bed, 3-Shock-absorbing mat.*

## Main three parts

1. **The frame** – built from high quality galvanized steel sheet, resistant to corrosion. The upper part of the frame hides the springs and is covered with a shock-absorbing mat. The remaining part of the frame is set into the ground.
2. **The jumping bed** – built from a large number of small plastic elements, specifically designed for this purpose, joined with steel cords. The ends of the cords are connected with the frame by means of springs in such a way that they shift the loads from the mat. The elements of the mat were produced from special plastic which is often used for the production of machines, hence it is abrasion and weather-resistant. Due to this fact, children can use our trampolines wearing shoes. Also, the mat is a non-slip surface. All mentioned features of the material used make the trampoline resistant to the acts of vandalism.
3. **The shock-absorbing mat** – built from a special recycled rubber compound with the addition of EPDM. The shock-absorbing mat covers the frame, is a non-slip surface and cushions potential falls.

## 2. Technical specification

Model	HEXAGON	HEX1
Jumping bed (A1 x A2 cm)		80x92
Full size (B1 x B2 cm)		136x157
Number of springs		48 szt.
Safety zone (C1 x C2 cm)		380x392
Weight		110 kg
Max. jump heigh		0,65 m



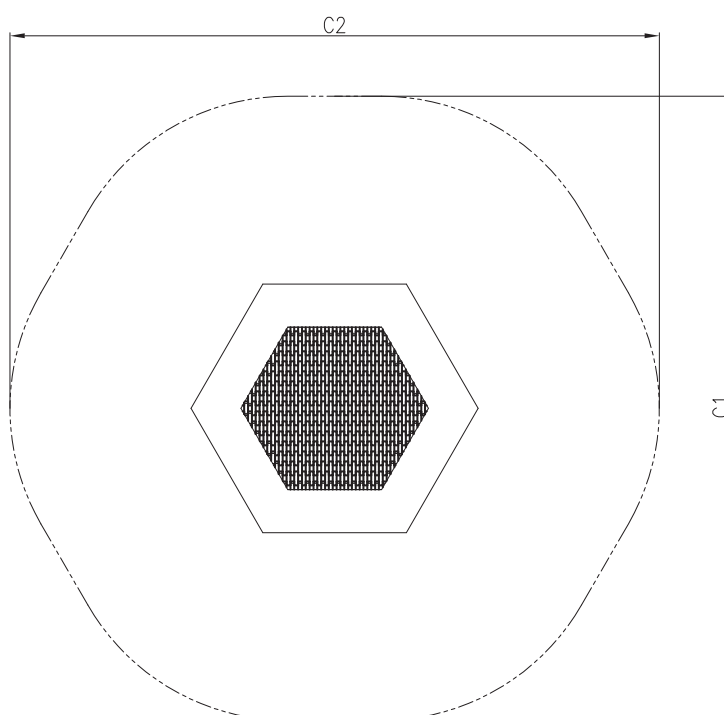
*Drawing no. 2: Top view.*

### 3. Assembly instructions

#### Location

First of all, the appropriate place for the trampoline assembly should be chosen. Every trampoline has its individual safety zone, i.e. a safe distance from the other elements in the playground (SEE Drawing no. 3).

ATTENTION: The land slope may not be higher than 2%..



*Drawing no. 3: Top view with marked safe zone.*

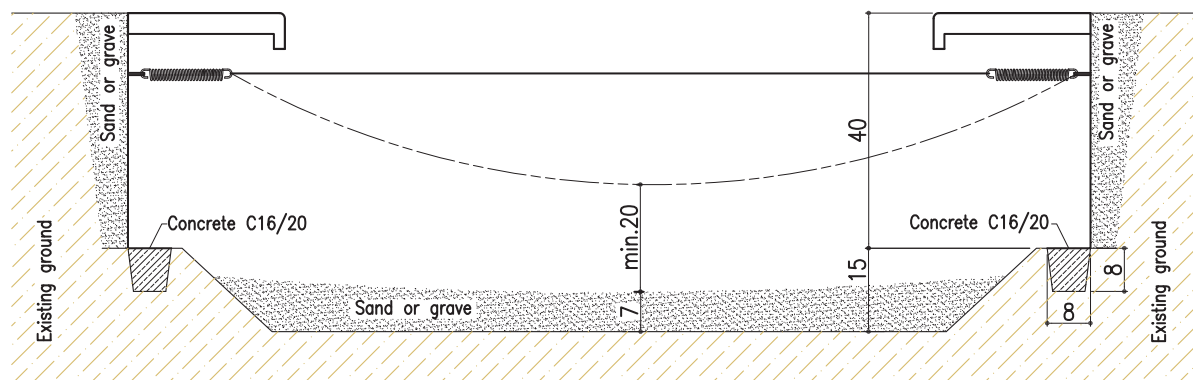
#### How to dig the pit, mount and assemble the trampoline

Materials required: C16/20 concrete, sand

After choosing the right place for setting the trampoline, dig a pit bigger than ( **B1xB1** ). In the pit, a concrete foundation should be made, which should create the mounting surface on the **depth of 40 cm** (SEE Drawing no. 4). the middle part of the pit should be deepened and filled with sand (about **15 cm**). In case the pit is bigger than the trampoline, the spaces around it should be filled with sand or native soil. The frame of the trampoline is equipped with removable handles (4 pieces), which makes mounting it in the pit much easier.

ATTENTION: if the ground is cohesive, it is possible to dig a vertical pit. However, if the ground is loose or not cohesive, the sides of the pit need to be properly shaped to prevent collapse.

**ATTENTION:** Recommended surface of the safe zone is: grass, sand, bark, shavings and soil.



*Drawing no. 4: Mounting scheme*

## 4. Maintenance and repairs

### Periodical inspection

The purpose of periodical inspections is to find potential risks resulting from everyday use, vandalism or weather conditions.

The frequency of periodical inspections depends on the trampoline use intensity:

- daily – if the trampoline is used very often or there is a high risk of vandalism
- weekly – if the trampoline is used quite often.

### What to check:

- the surrounding of the trampoline – safety, check if nobody left unwanted or dangerous items; cleanliness
- the jumping bed – look for damages, check if the surface of the mat is smooth, if no elements are missing; cleanliness
- the shock-absorbing mat – look for damages, check if the mat was not shifted; cleanliness
- check if the marking is complete and legible.

## **Operational inspection**

Operational inspections are more detailed and their aim is to check the functioning, the stability and the degree of wear-out of the trampoline.

Operational inspections need to be carried out **monthly**.

### What to check:

- if there are garbage under the mat, it must not allow the jumping mat to contact with garbage during use, it may damage the mat.
- the degree of wear-out of the trampoline parts
- check if the trampoline is fixed properly, if the springs are properly fixed to the frame, if the jumping bed is evenly stretched.

## **Annual inspection (Main inspection)**

The annual inspection is carried out to decide on the general safety level of the trampoline, its foundations and the shock-absorbing mat. The control covers the effects of the changing weather and all potential changes of the trampoline safety level resulting from repairs and adding or exchanging its elements.

### What to check:

- the degree of wear-out of the trampoline parts; when excessively worn out, exchange to new ones.

ATTENTION: the jumping bed is disassembled together with the springs by means of a special handle, which is included in the set.